

ASSEMBLING INSTRUCTIONS

UTV PUSH FRAME

UTV BLADES (66" & 72")

N° CLIENT

N° CLIENT

WZ-AUF-PF

WZ-AUF-PB66 (66)

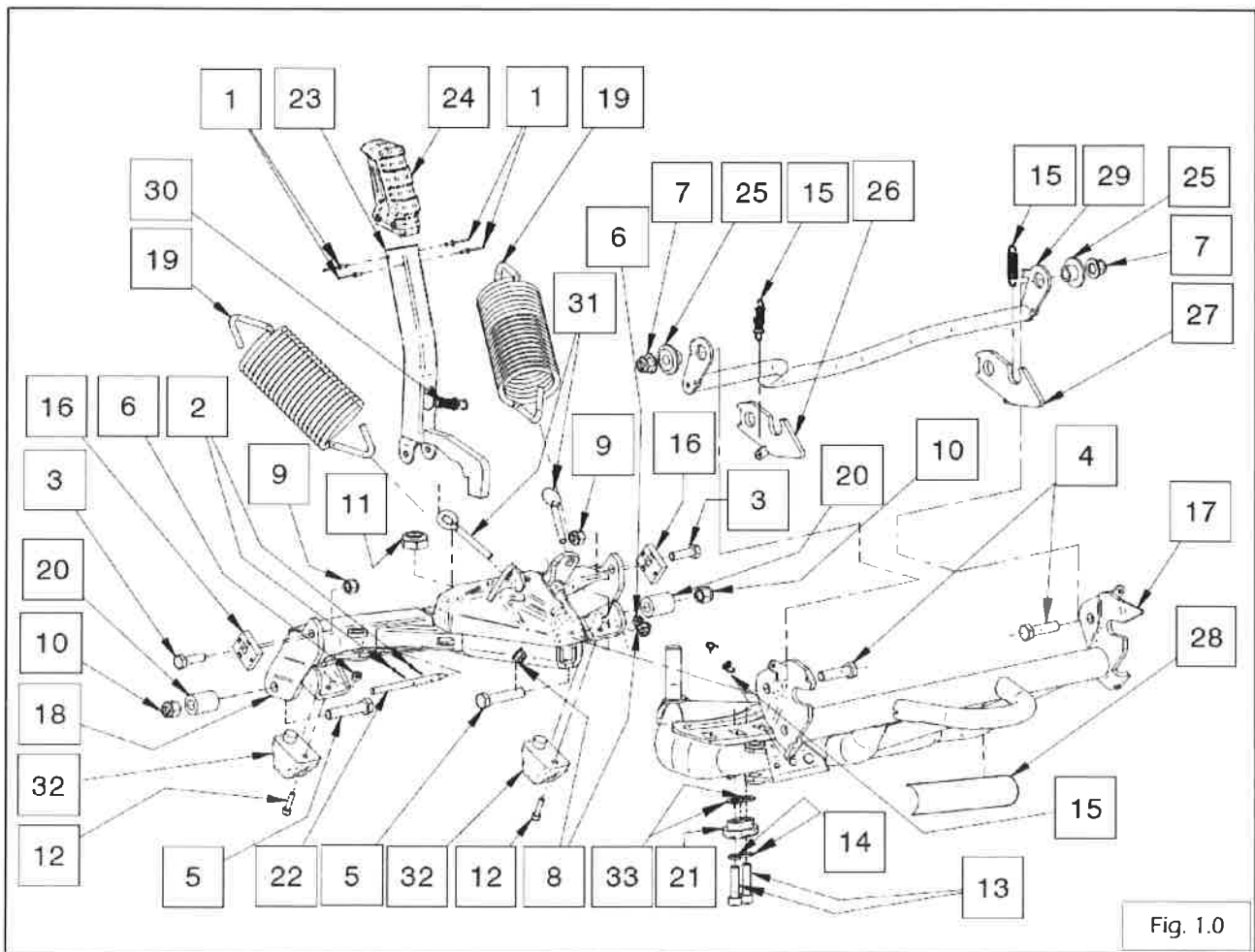
WZ-AUF-PB72 (72)

WARNING (to avoid injury to others and to yourself):

- Read this entire leaflet, as well as the User's manual of your vehicle.
- Always wear a proper helmet, safety glasses and protective footwear when using your vehicle.
- Keep a safe distance from all people or vehicles when you are in motion.

IMPORTANT: The installation of the plow system on the vehicle requires a mounting plate kit. The mounting plate must be assembled before. See the corresponding instruction for your vehicle.

UTV PUSH FRAME BOM



ASSEMBLING INSTRUCTIONS

UTV PUSH FRAME

N° CLIENT

WZ-AUF-PF

UTV BLADES (66" & 72")

N° CLIENT

WZ-AUF-PB66 (66)

WZ-AUF-PB72 (72)

REF.	DESCRIPTION	QTY	SERVICE KIT
1	Rivet dia. 3.2mm	4	WZ-AUF-PFAH
2	Cotter pin dia 1.5 X 15mm	2	WZ-AUF-PFHK
3	Hexagonal bolt M10-1.5 X 35	2	WZ-AUF-PFHK
4	Hexagonal bolt M12-1.75 X 45	2	WZ-AUF-PFHR
5	Hexagonal bolt M12-1.75 X 60	2	WZ-AUF-PFHK
6	Hexagonal nylon nut M6-1	2	WZ-AUF-PFBS
7	Hexagonal nylon nut M12-1.75	2	WZ-AUF-PFHR
8	Hexagonal nylon nut M8-1.25	2	WZ-ACF-PFEB
9	Hexagonal nylon nut M10-1.5	2	WZ-AUF-PFHK
10	Hexagonal nylon nut M12-1.75	2	WZ-AUF-PFHK
11	Thin hexagonal nylon nut M20-2.5	1	WZ-AUF-PFHK
12	Allen cylindrical hollow bolt M6-1 X 25	2	WZ-AUF-PFBS
13	Allen cylindrical hollow bolt M10-1.5 X 40	2	WZ-AUF-PFHK
14	Spring washer M10	2	WZ-AUF-PFHK
15	Spring dia. 13mm	3	WZ-AUF-PFHR
16	Adjustment bloc (4 positions)	2	WZ-AUF-PFHK
17	Push frame	1	N/A
18	Push frame pivot	1	N/A
19	Spring dia. 80mm	2	WZ-ACF-PFSS
20	Pivot sleeve	2	WZ-AUF-PFHK
21	Sliding guide	1	WZ-AUF-PFHK
22	Angulation handle pivot	1	WZ-AUF-PFHK
23	Angulation handle (Lock)	1	WZ-AUF-PFAH
24	Plastic handle	1	WZ-AUF-PFAH
25	Sleeve hook	2	WZ-AUF-PFHR
26	Left hook	1	WZ-AUF-PFHR
27	Right hook	1	WZ-AUF-PFHR
28	Decal	1	N/A
29	Lock handle	1	WZ-AUF-PFHR
30	Spring dia. 15mm	1	WZ-AUF-PFAH
31	Eye bolt M8-1.25 X dia. 10 X 60	2	WZ-ACF-PFEB
32	Stopper	2	WZ-AUF-PFBS
33	Washer M10	2	WZ-AUF-PFHK

ASSEMBLING INSTRUCTIONS

UTV PUSH FRAME

UTV BLADES (66" & 72")

N° CLIENT

WZ-AUF-PF

N° CLIENT

WZ-AUF-PB66 (66)

WZ-AUF-PB72 (72)

SERVICE KITS ; UTV PUSH FRAME

WZ-ACF-PFSS : SPRING KIT



WZ-ACF-PFEB : EYE BOLT KIT



WZ-AUF-PFHK : HARDWARE KIT



WZ-AUF-PFAH : ANGULATION HANDLE KIT



WZ-AUF-PFHR : HOOK AND HANDLE LOCK KIT



WZ-AUF-PFBS : STOPPER KIT



ASSEMBLING INSTRUCTIONS

UTV PUSH FRAME

UTV BLADES (66" & 72")

N° CLIENT

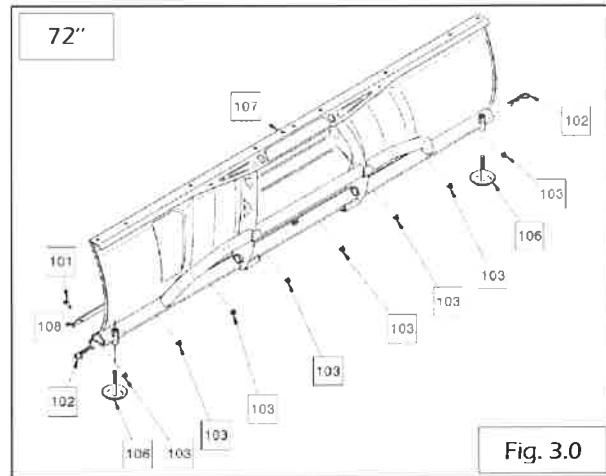
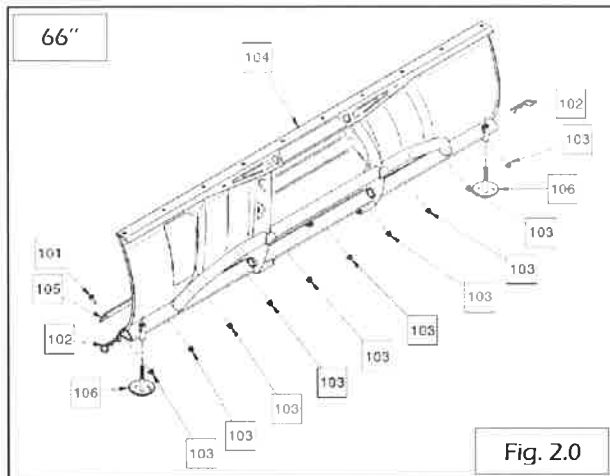
WZ-AUF-PF

N° CLIENT

WZ-AUF-PB66 (66)

WZ-AUF-PB72 (72)

BOM FOR 66" & 72" BLADES



66"			
REF.	DESCRIPTION	QTY	SERVICE KIT
101	Carriage bolt M 8 - 1.25 X 25	10	WZ-AUF-WB-66
102	«R» shaped pin	2	WZ-ACF-PBSS
103	Nylon nut M 8 - 1.25	10	WZ-AUF-WB-66
104	Blade 66"	1	N/A
105	Wear bar 66"	1	WZ-AUF-WB-66
106	Plow shoes	2	WZ-ACF-PBSS

72"			
REF.	DESCRIPTION	QTY	SERVICE KIT
101	Carriage bolt M 8 - 1.25 X 25	8	WZ-AUF-WB-72
102	«R» shaped pin	2	WZ-ACF-PBSS
103	Nylon nut M 8 - 1.25	8	WZ-AUF-WB-72
106	Plow shoes	2	WZ-ACF-PBSS
107	Blade 72"	1	N/A
108	Wear bar 72"	1	WZ-AUF-WB-72

ASSEMBLING INSTRUCTIONS

UTV PUSH FRAME

UTV BLADES (66" & 72")

N° CLIENT

WZ-AUF-PF

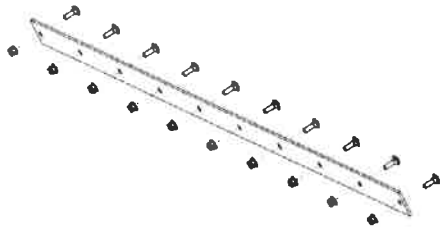
N° CLIENT

WZ-AUF-PB66 (66)

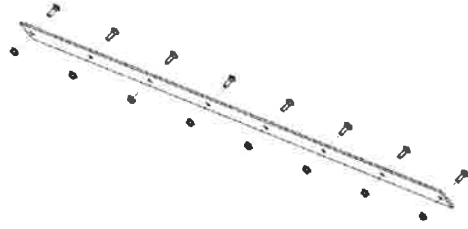
WZ-AUF-PB72 (72)

SERVICE KITS ; 66" & 72" UTV BLADES

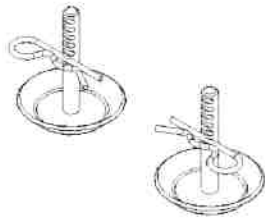
WZ-AUF-WB-66 : 66" WEAR BAR KIT



WZ-AUF-WB-72 : 72" WEAR BAR KIT



WZ-ACF-PBSS : PLOW SHOE KIT



ASSEMBLING INSTRUCTIONS

UTV PUSH FRAME

N° CLIENT

WZ-AUF-PF

UTV BLADES (66" & 72")

N° CLIENT

WZ-AUF-PB66 (66)

WZ-AUF-PB72 (72)

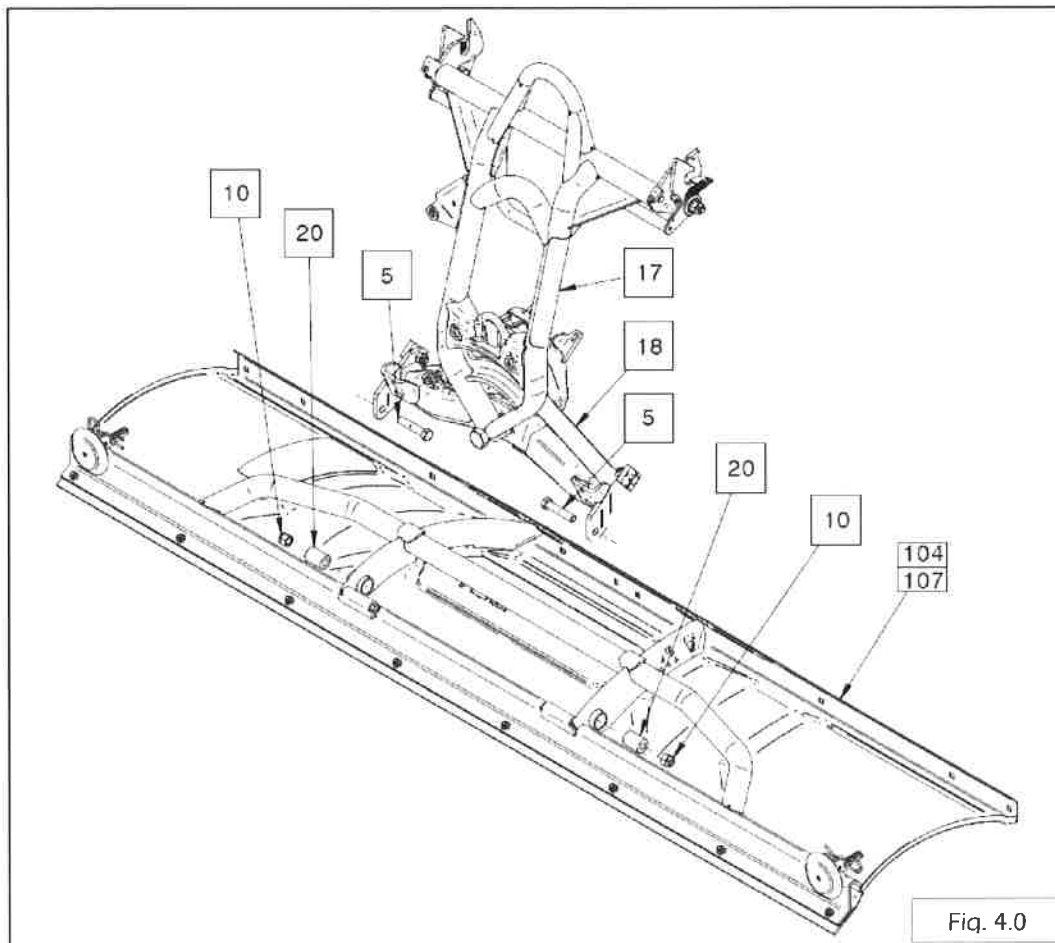
1. BLADE INSTALLATION (66" & 72") (Fig 4.0)

- 1.1. Put the blade **104/107** face down on the ground or on a table.
- 1.2. Position the pivot **18** of the push frame **17** in the middle of the blade **104/107**.

ATTENTION : There is a risk of your fingers jamming due to the pivot **18** on which the push frame **17** is attached and free of movement

- 1.3. Insert the pivot sleeves **20** in the holes of the blade **104/107**.
- 1.4. Insert the bolts M12-1.75x60 **5** in the holes of the pivot **18** and through the sleeves **20**.
- 1.5. Assemble the nylon nuts M12-1.75 **10** and tighten.

IMPORTANT NOTE: Assemble the nuts so that they are on the exterior side to prevent damage in case of impact.



ASSEMBLING INSTRUCTIONS

UTV PUSH FRAME

N° CLIENT

WZ-AUF-PF

UTV BLADES (66" & 72")

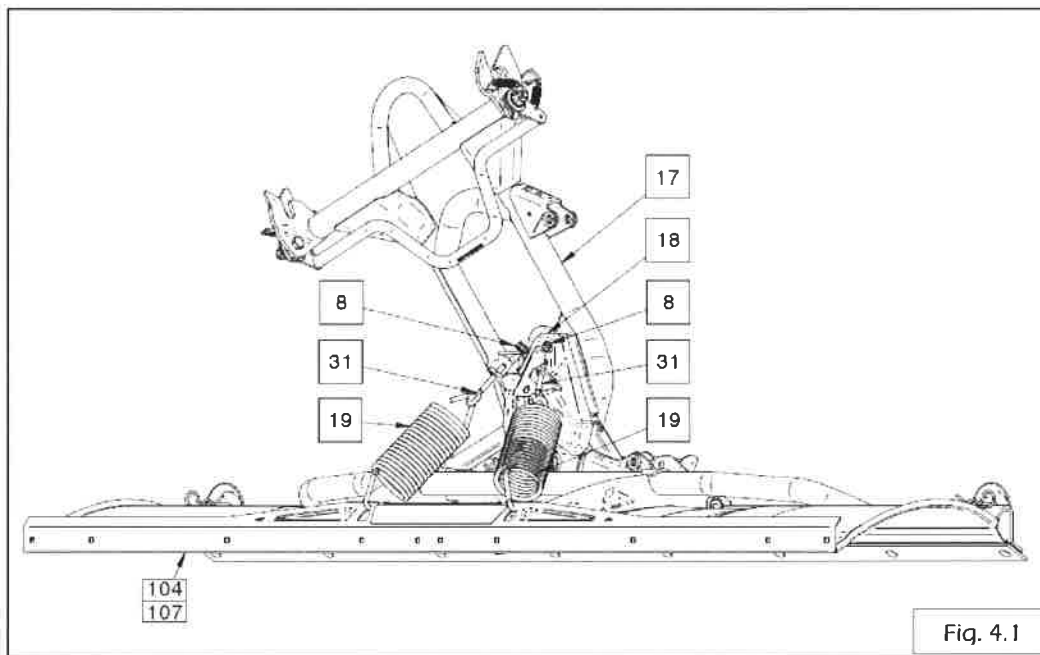
N° CLIENT

WZ-AUF-PB66 (66)

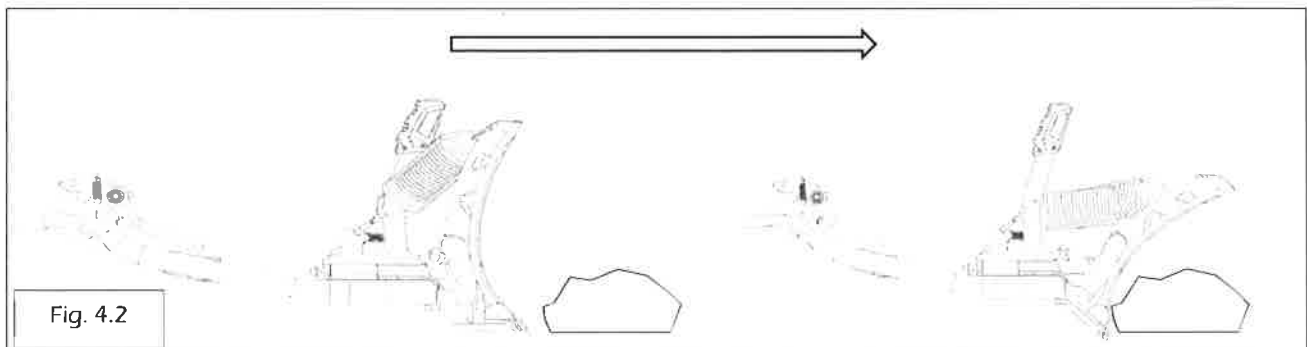
WZ-AUF-PB72 (72)

BLADE INSTALLATION (66" & 72") (CONTINUATION) (Fig 4.1)

- 1.6. Install the springs [19] on the blade [104/107].
- 1.7. Insert the eye bolts [31] in the holes of the pivot [18] of the push frame [17].
- 1.8. Installer l'autre extrémité des ressorts [19] dans les boulons à œil [31].
- 1.9. Assemble the nuts M8-1.25 [8] and tighten until there is a minimum tension in the springs; the coils must not come off.



The blade [104/107] designed to flip forward when it hits an obstacle (Fig. 4.2). Once passed the obstacle, the blade will reposition itself on its own. The tension in the springs [19] can be increased by tightening the nylon nuts M8-1.25 [8]. For less tension release the nut.



ASSEMBLING INSTRUCTIONS

UTV PUSH FRAME

N° CLIENT

WZ-AUF-PF

UTV BLADES (66" & 72")

N° CLIENT

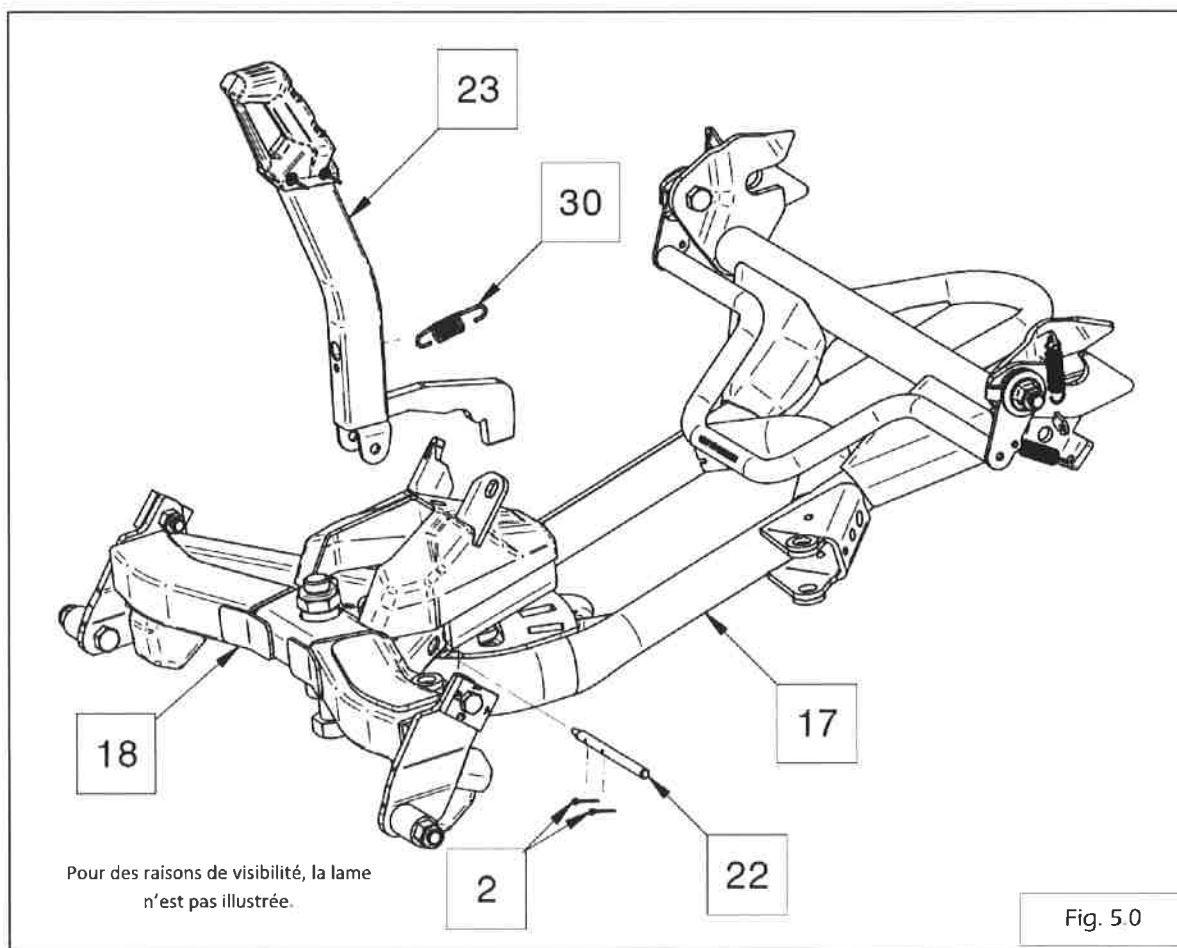
WZ-AUF-PB66 (66)

WZ-AUF-PB72 (72)

2. INSTALLATION OF THE ANGLUATION HANDLE (Fig. 5.0)

- 2.1. Before installing the angulation handle **23** on the pivot **18**, insert the spring **30** in the hole of the handle **23** (Fig.5.1).
- 2.2. Align the holes of the handle **23** with the holes of the pivot **18** (Fig. 5.2).
- 2.3. Assemble the other end of the spring **30** into the holes of the pivot **18** (Fig 5.3).
- 2.4. Insert the pivot handle **22** in the opening on the side of the pivot **18** and let it go through the 4 holes of the pivot **18** and of the handle **23** (Fig. 5.4).
- 2.5. Then, under the pivot **18**, insert the cotter pins $\varnothing 1.5 \times 15\text{mm}$ **2** in the holes of the pivot handle **22** (Fig. 5.5).

IMPORTANT NOTE : Each end of the cotter pins **2** must be folded so that they stay in place.



ASSEMBLING INSTRUCTIONS

UTV PUSH FRAME

UTV BLADES (66" & 72")

N° CLIENT

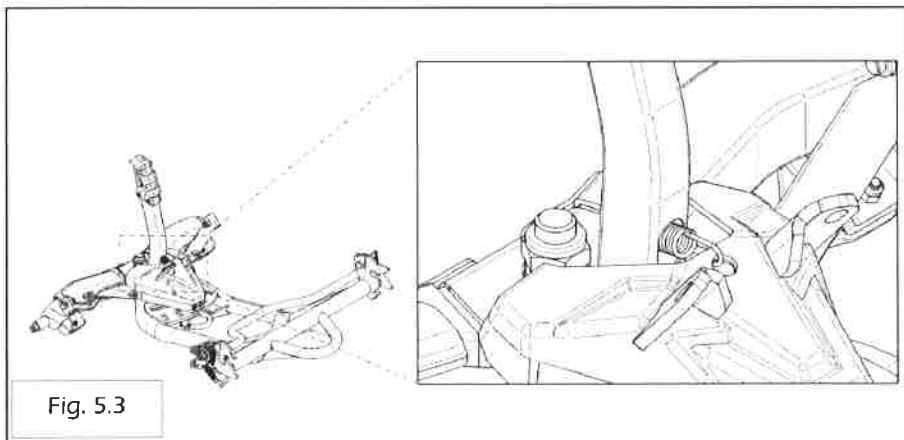
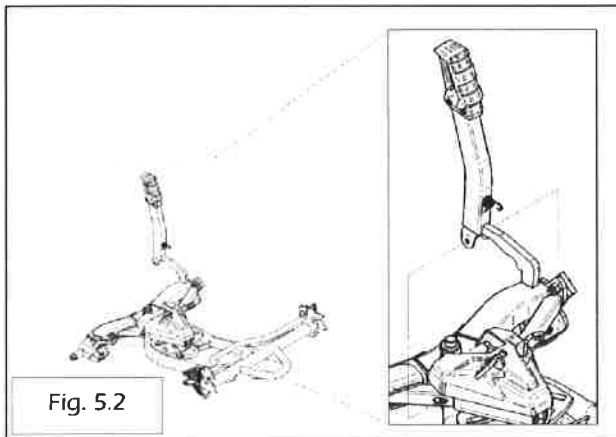
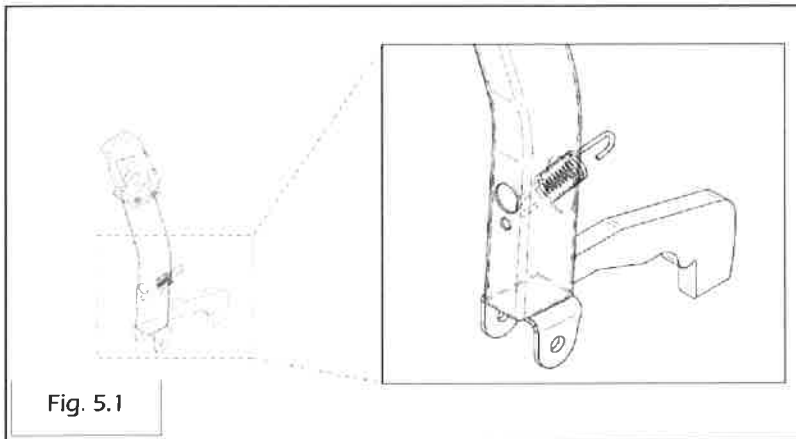
N° CLIENT

WZ-AUF-PF

WZ-AUF-PB66 (66)

WZ-AUF-PB72 (72)

INSTALLATION OF THE HANDLE (CONTINUATION)



ASSEMBLING INSTRUCTIONS

UTV PUSH FRAME

N° CLIENT

WZ-AUF-PF

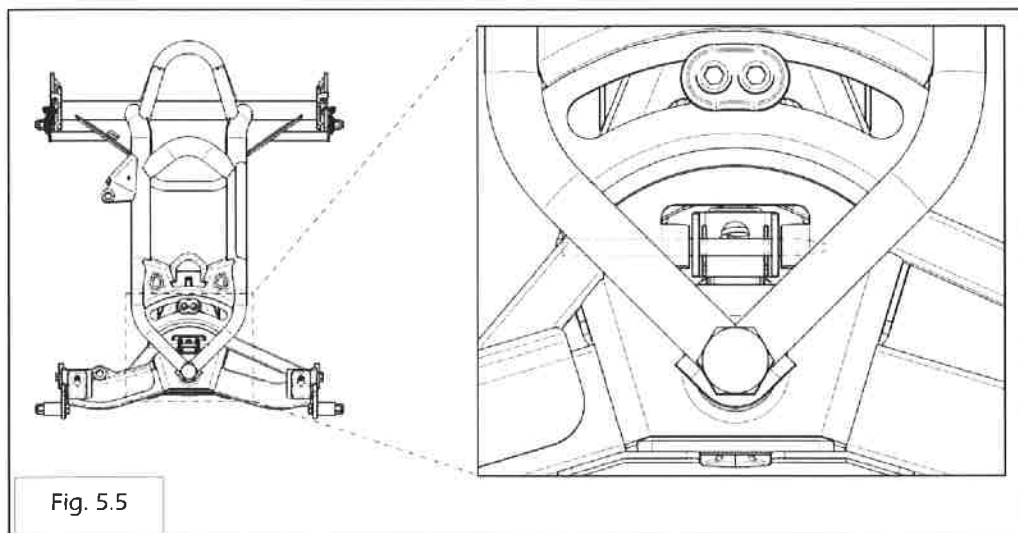
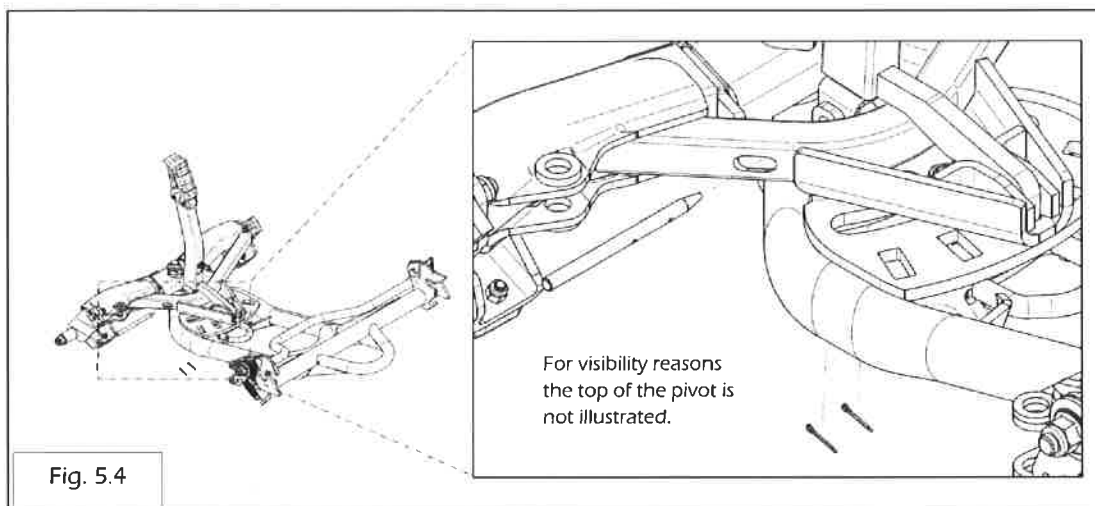
UTV BLADES (66" & 72")

N° CLIENT

WZ-AUF-PB66 (66)

WZ-AUF-PB72 (72)

INSTALLATION OF THE HANDLE (CONTINUATION)



ASSEMBLING INSTRUCTIONS

UTV PUSH FRAME

N° CLIENT

WZ-AUF-PF

UTV BLADES (66" & 72")

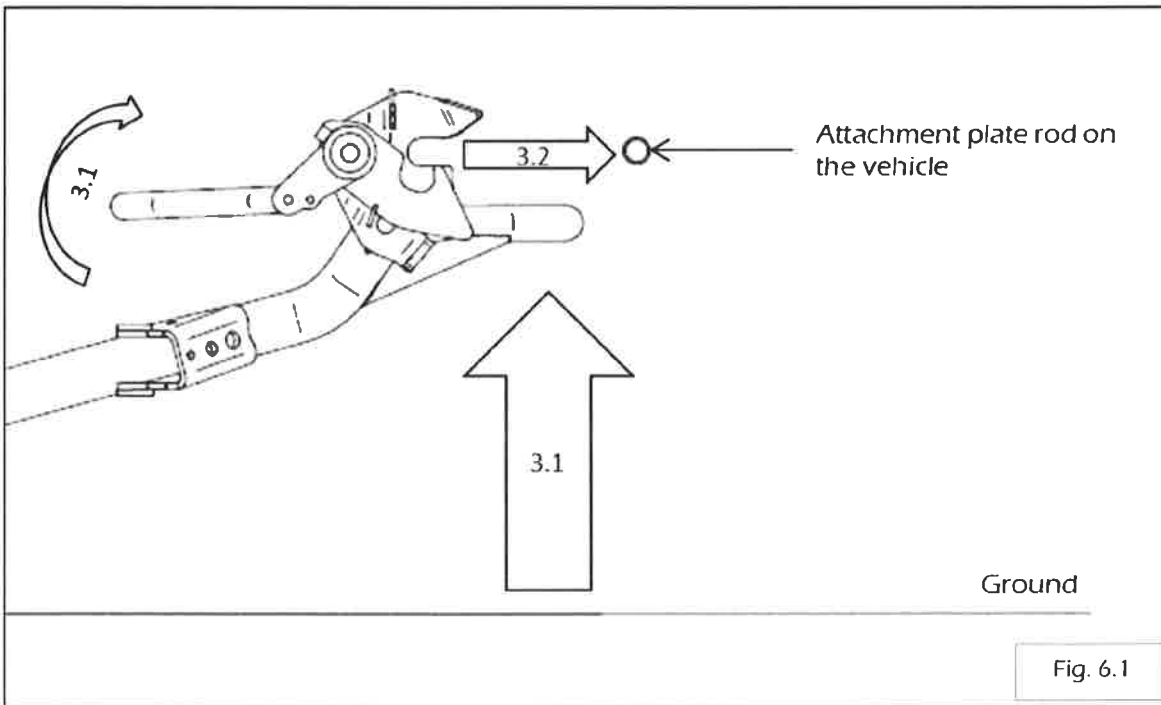
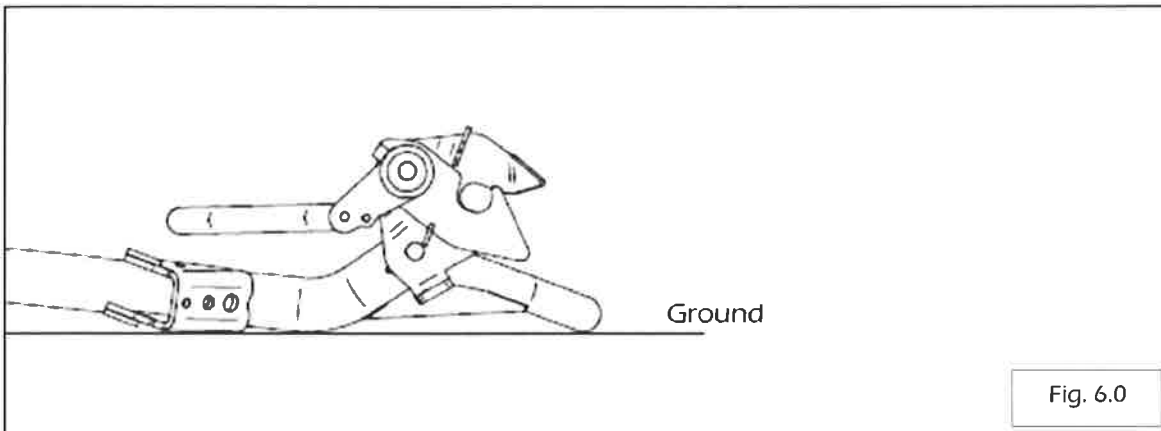
N° CLIENT

WZ-AUF-PB66 (66)

WZ-AUF-PB72 (72)

3. INSTALLATION OF THE PLOW SYSTEM ON THE VEHICLE

- 3.1. Raise the rear of the plow system by grabbing the lock handle [29]. This will allow both hooks [26/27] to open up at same time (Fig. 6.1).
- 3.2. Approach the plow system until the U-plates of the push frame [17] are completely inserted in the rods of vehicle's mount plate (Fig. 6.2).
- 3.3. Release the lock handle [29] and make sure both hooks [26/27] are completely closed on the rods of the mount plate (Fig. 6.3).



ASSEMBLING INSTRUCTIONS

UTV PUSH FRAME

N° CLIENT

WZ-AUF-PF

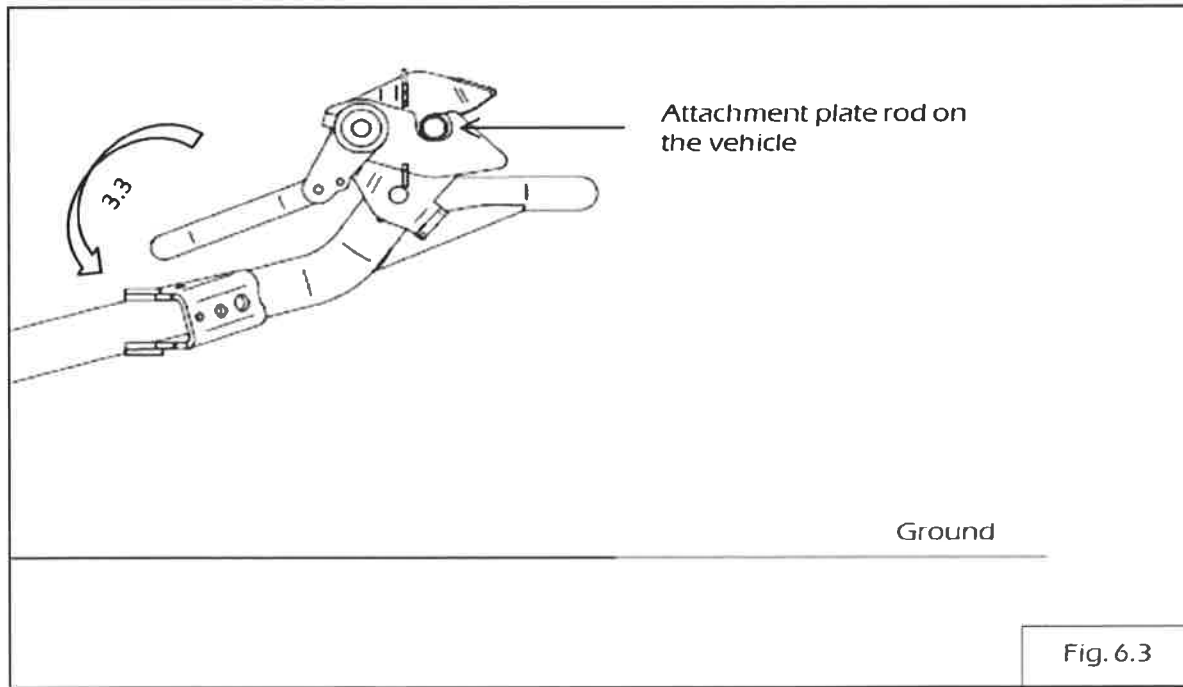
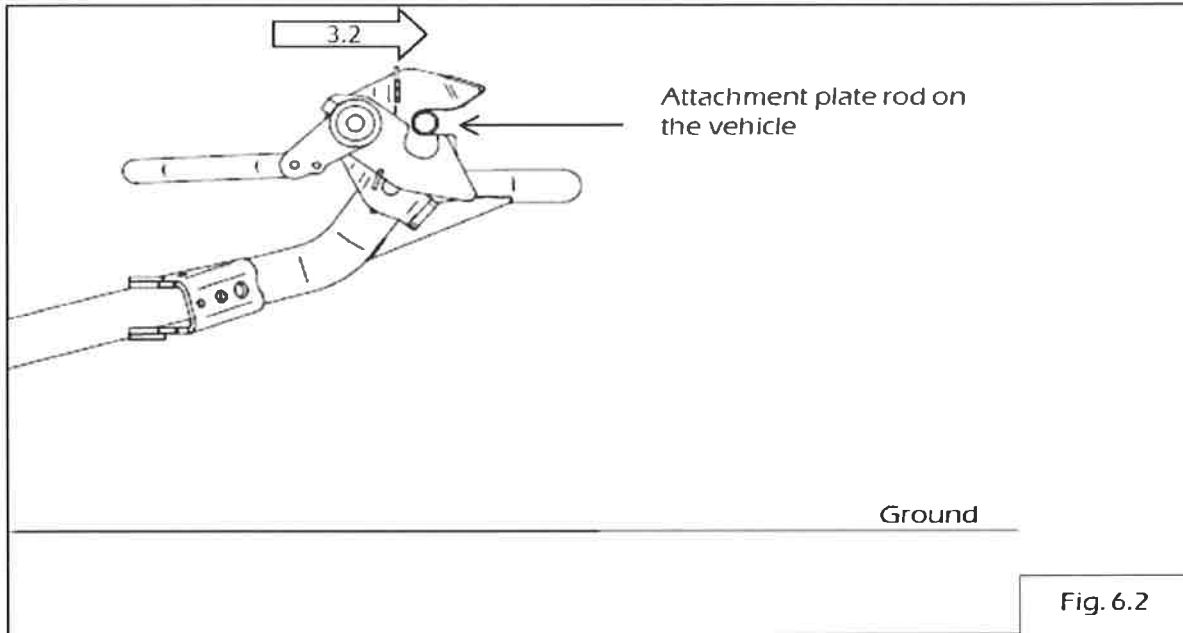
UTV BLADES (66" & 72")

N° CLIENT

WZ-AUF-PB66 (66)

WZ-AUF-PB72 (72)

INSTALLATION OF THE PLOW SYSTEM ON THE VEHICLE (CONTINUATION)



ASSEMBLING INSTRUCTIONS

UTV PUSH FRAME

N° CLIENT

WZ-AUF-PF

UTV BLADES (66" & 72")

N° CLIENT

WZ-AUF-PB66 (66)

WZ-AUF-PB72 (72)

4. ADJUSTEMENT OF THE BLADE ANGLE (Fig. 7.0)

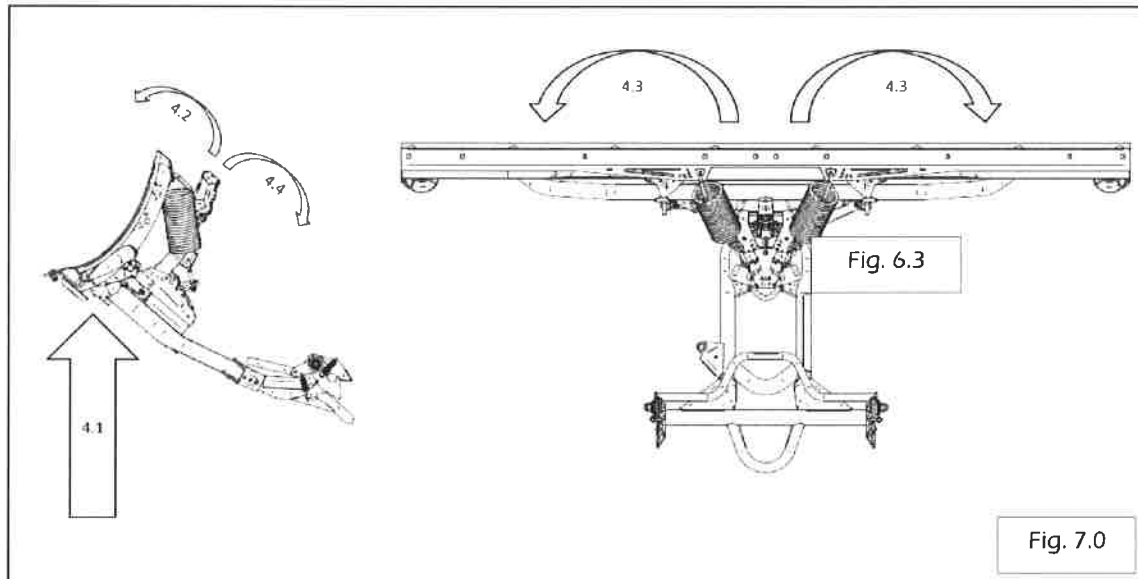
4.1. Raise the plow system with the vehicle's winch so that it can rotate freely.

WARNING : Breakage of the winch cable may occur at any time. Never leave your feet under the blade in case the plow system falls. This could cause serious injury.

4.2. Pull the handle **23** towards the blade **104/107**.

4.3. Rotate the blade **104/107** on desired side.

4.4. Release handle **23** and make sure that the lock fits into one of the holes of the angulation handle of the push frame **17**.



5. ADJUSTMENT OF SETTING BLOCKS (ATTACK ANGLE)

5.1. Remove the springs **19** in order to release the tension on the blade **104/107**.

5.2. Loosen the bolts M10-1.5 x 30 **3** and the nuts M10-1.5 **9** on each side so that the setting blocks **16** may rotate freely.

5.3. Push the top of the blade **104/107** and rotate the setting blocks **16** to the desired position (1-2-3-4).

5.4. Tighten the bolts M10-1.5 x 30 **3** and the nuts M10-1.5 **9** and put the springs **19** back in place (see instructions 1.6 to 1.9).

NOTE : Setting blocks are at position 2 by default.

#1 → less aggressive attack angle

#4 → more aggressive attack angle