



ACCESSORY SETUP INSTRUCTION

CENTER MIRROR ASSY -- PN 5BWV-805600-5000

VALID FOR: CF1000US-2 CF1000UU CF800US-A CF600UU


BEFORE YOU BEGIN: Read and understand the instructions before starting any work. Make sure that all parts are ready and that you have all the tools required for assembly.


NOTE: CFMOTO shall not be liable for any damage caused by incorrect assembly. CFMOTO recommends that all original accessories be assembled by an authorized CFMOTO dealer.

Before assembly, park the vehicle on a flat surface, put the transmission gear into Park (P) and turn off the key switch.

Zhejiang CFMOTO Power Co., Ltd. All rights reserved. Reproduction of this document, even in part, as well as copying of all kinds, is permitted only with the express written permission of the copyright owner.

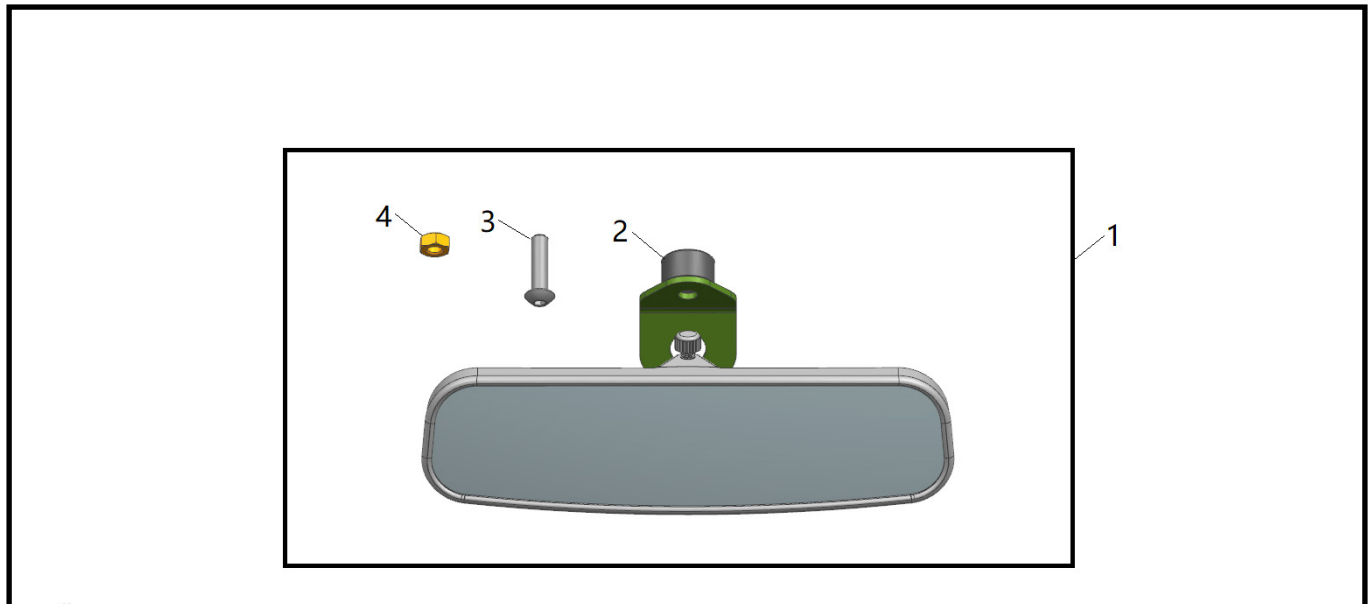
MEANING OF SYMBOLS

 - Indicates information with more details or tips.

 - Indicates information of warning or danger.

PARTS LIST:

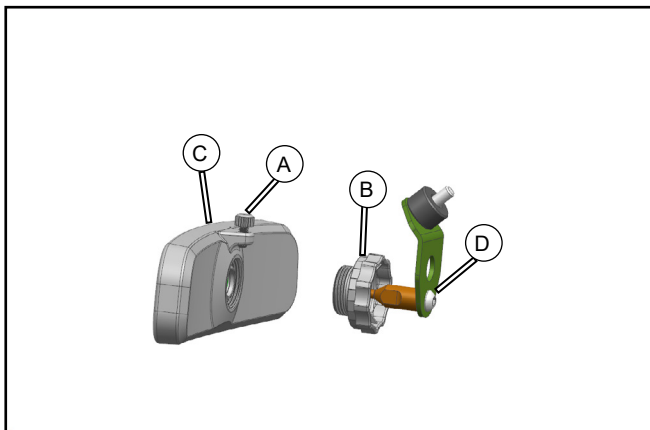
ITEM	PART NAME	PART NUMBER	QTY.	REMARK
1	CENTER MIRROR ASSY	5BWV-805600-5000	1	
2	CENTER MIRROR ASSY	5BWV-805610-5000	1	
3	INNER HEX ROUND HEAD SCREW M8X16	5BWV-805610-5000-20	1	
4	LOCK NUT	30202-080170	1	



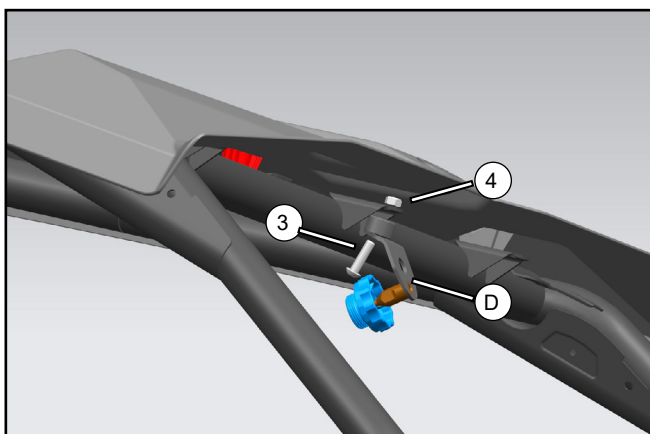
TOOL LIST:

ITEM	DESCRIPTION	QTY.	REMARK
1	13mm SOCKET	1	Recommended tools
2	4mm ALLEN WRENCH	1	
3	PROTECTIVE GLOVES	1	

ASSEMBLY and INSTALLATION

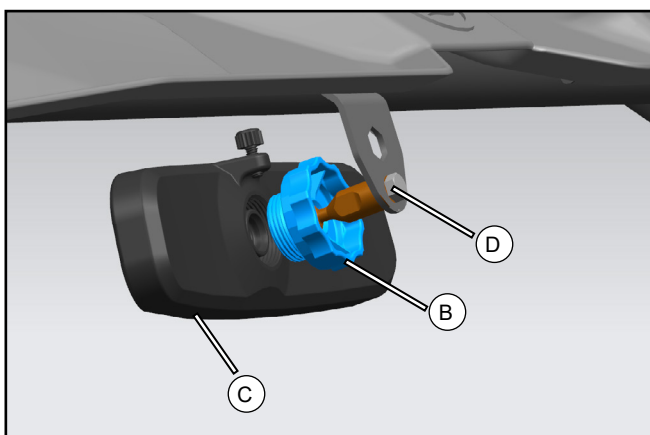


// Rotate nylon screw (A) and locking knob (B) counter-clockwise to separate mirror body (C) from bracket (D).

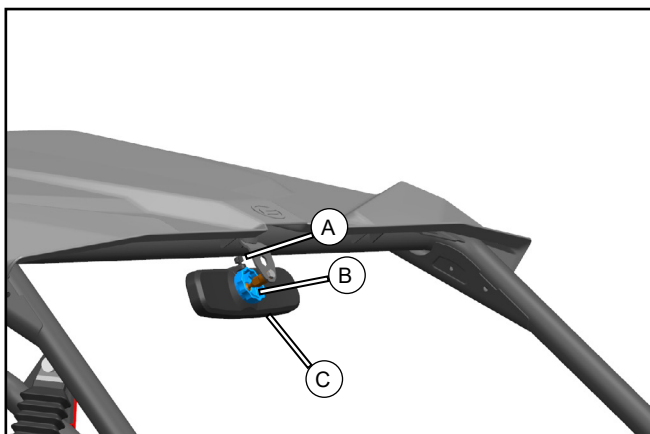


// Place the bracket (D) in the corresponding assembly position and lock it with screw (3) and nut (4).

i » The bracket (D) is different due to the model year (some models have welding nuts in the bracket).



// Assemble the mirror body (C) and bracket (D), and rotate the locking knob (B) clockwise.



// The driver can adjust the visual angle of the mirror body (C) when sitting in the driver seat, and then lock the locking knob (B) and nylon screw (C) successively.